

A.S.P. Electro-Technology Ltd

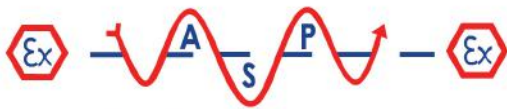
Tel: +44 (0) 1455 635796
Fax: +44 (0) 1455 610851

sales@asp-electro-tech.com
www.asp-electro-tech.com

ADVANCE-GRP[GD] SERIES OPTIMA-EX[GD] SERIES

Plug and socket for applications in potentially explosive atmospheres - GAS & DUST





■ BEHAVIOUR WITH CHEMICAL AND ATMOSPHERIC AGENTS

Saline solution	Acids		Bases		Solvents				Mineral oil	UV rays
	Concentrated	Diluted	Concentrated	Diluted	Hexane	Benzol	Acetone	Alcohol		
Resistant	Limited Resistance	Resistant	Limited Resistance	Resistant	Resistant	Resistant	Resistant	Resistant	Resistant	Resistant

For specific substances please contact our technical service.

■ TECHNICAL CHARACTERISTICS

Rated current:	16A-32A-63A-125A
Rated voltage:	50÷690V~
Frequency:	50÷60Hz
Insulating voltage:	690V~
Switch-disconnectors:	16A-32A-63A: COMMAND-EX Series 125A: CZ0513
ATEX Code:	Ex II 2 GD
Ex Protection type:	Plugs: Ex e IIC T4, T5, T6 Gb Ex tb IIIC T80°C Db IP66 Sockets: Ex d e IIC T4, T5, T6 Gb Ex tb IIIC T80°C Db IP66
Ambient temperature range:	-50°C + 60°C for plug and socket 16/32A -35°C + 60°C for plug and socket 63/125A

Maximum permissible surface temperature (DUST):	T80°C
Temperature class (GAS):	T4/T5/T6
Protection degree:	IP66
Impact Resistance:	7J
Switched socket outlets with interlock material:	Dissipative Thermosetting (GRP)
Sockets colour:	Black RAL9005
Plugs material:	PA6 - Dissipative

■ ATEX IECEX CERTIFICATE

ATEX-Sockets and plugs 16A-32A-63A-125A:
INERIS 15ATEX0017X

IECEX-Sockets and plugs 16A-32A-63A-125A:
IECEX INE 15.0033X

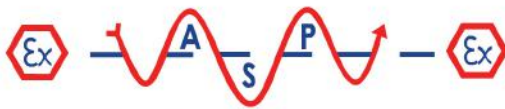
■ ELECTRICAL FEATURES ADVANCE-GRP[GD] SERIES

Switch Socket Type		16/32A			63A			CZ0513-180A
Rated Voltage		400V	500V	690V	400V	500V	690V	690V
Category	AC3	-	25A	-	-	50A	-	125A
	AC22A	-	-	32A	-	-	63A	125A
	AC23A	-	32A	-	-	-	63A	125A

■ ELECTRICAL FEATURES OPTIMA-EX[GD] SERIES

Rated Current	Maximun Current			Max. Cable Entry Temperature when Ta +60°C
	Ta 40°C	Ta 50°C	Ta 60°C	
16A	16A	16A	16A	80°C (*)
32A	32A	32A	32A	85°C (*)
63A	63A	63A	63A	90°C (*)
125A	100A	112A	125A	-

(*) WARNING: the cable entry can be reach high temperature; suitable cable can be used.



A.S.P. Electro-Technology Ltd

Tel: +44 (0) 1455 635796
Fax: +44 (0) 1455 610851

sales@asp-electro-tech.com
www.asp-electro-tech.com



SWITCHED INTERLOCKED SOCKET OUTLETS IP66

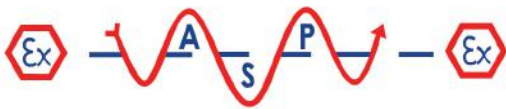
ADVANCE-GRP[GD] Series

504.



Poles	Hz	Volt	Colour		h.	16A	32A	63A	125A
			16A-32A 63A	125A		⊞1	⊞1	⊞1	⊞1
2P+E	50/60	100-130	Yellow	-	4	504.1670	504.3270	-	-
	50/60	200-250	Blue	-	6	504.1683	504.3283	-	-
	50/60	380-415	Red	-	9	504.1678	504.3278	-	-
	50/60	480-500	Red	-	7	504.16836	504.32836	-	-
	300+500	50+500	Red	-	2	504.16832	504.32832	-	-
	d.c.	50+250	Red	-	3	504.16834	504.32834	-	-
	d.c.	>250+500	Red	-	8	504.16838	504.32838	-	-
3P+E	50/60	100-130	Yellow	Black	4	504.1672	504.3272	504.6372	504.12572
	50/60	200-250	Blue	Black	9	504.1674	504.3274	504.6374	504.12574
	50/60	380-415	Red	Black	6	504.1686	504.3286	504.6386	504.12586
	60	440-460	Red	Black	11	504.16865	504.32865	504.63865	504.125865
	50/60	480-500	Red	Black	7	504.16866	504.32866	504.63866	504.125866
	50/60	600-690	Red	Black	5	504.16867	504.32867	504.63867	504.125867
	50/60	380/440	Red	Black	3	504.16864	504.32864	504.63864	504.125864
	100+300	50+690	Red	Black	10	504.16861	504.32861	504.63861	504.125861
>300+500	50+690	Red	Black	2	504.16862	504.32862	504.63862	504.125862	
3P+N+E	50/60	100-130	Yellow	Black	4	504.1679	504.3279	504.6379	504.12579
	50/60	208-250	Blue	Black	9	504.1675	504.3275	504.6375	504.12575
	50/60	346-415	Red	Black	6	504.1687	504.3287	504.6387	504.12587
	50/60	480-500	Red	Black	7	504.16876	504.32876	504.63876	504.125876
	50/60	600-690	Red	Black	5	504.16877	504.32877	504.63877	504.125877
	60	440-460	Red	Black	11	504.16875	504.32875	504.63875	504.125875
	50/60	380/440	Red	Black	3	504.16874	504.32874	504.63874	504.125874
>300+500	50+690	Red	Black	2	504.16872	504.32872	504.63872	504.125872	

⊞ Pack Quantity.



■ PLUGS IP66

OPTIMA-EX[GD] Series

219.



16A	32A	63A	125A
cable gland □ 10/40	cable gland □ 10/40	cable gland □ 6/24	cable gland □ 1/8
219.1630	219.3230	-	-
219.1633	219.3233	-	-
219.1638	219.3238	-	-
219.16336	219.32336	-	-
-	-	-	-
219.16332	219.32332	-	-
219.16334	219.32334	-	-
219.16338	219.32338	-	-
219.1631	219.3231	219.6331	219.12531
219.1634	219.3234	219.6334	219.12534
219.1636	219.3236	219.6336	219.12536
219.16365	219.32365	219.63365	219.125365
219.16366	219.32366	219.63366	219.125366
219.16367	219.32367	219.63367	219.125367
219.16364	219.32364	219.63364	219.125364
219.16361	219.32361	219.63361	219.125361
219.16362	219.32362	219.63362	219.125362
219.1632	219.3232	219.6332	219.12532
219.1635	219.3235	219.6335	219.12535
219.1637	219.3237	219.6337	219.12537
219.16376	219.32376	219.63376	219.125376
219.16377	219.32377	219.63377	219.125377
219.16375	219.32375	219.63375	219.125375
219.16374	219.32374	219.63374	219.125374
219.16372	219.32372	219.63372	219.125372

■ PLUG ACCESSORIES

PLUGS COVER



Description	□		
16A-20A	2P+E	10/100	570.90163
	3P+E	10/100	570.90164
	3P+N+E	10/100	570.90165
32A-30A	2P+E and 3P+E	10/100	570.90324
	3P+N+E	10/100	570.90325
63A-60A	2P+E, 3P+E and 3P+N+E	10/100	570.9063
125A-100A	2P+E, 3P+E and 3P+N+E	10/100	570.9125

■ SOCKET ACCESSORIES

EARTH STUD

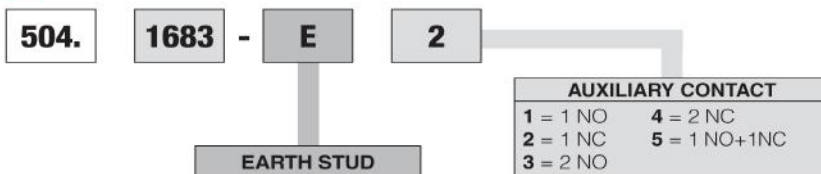


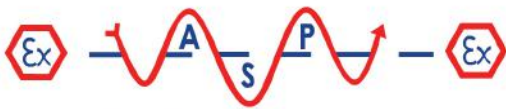
Description	
Earth stud.	644.E650

AUXILIARY CONTACT



■ CONFIGURATION SOCKET OPTIONAL ACCESSORIES





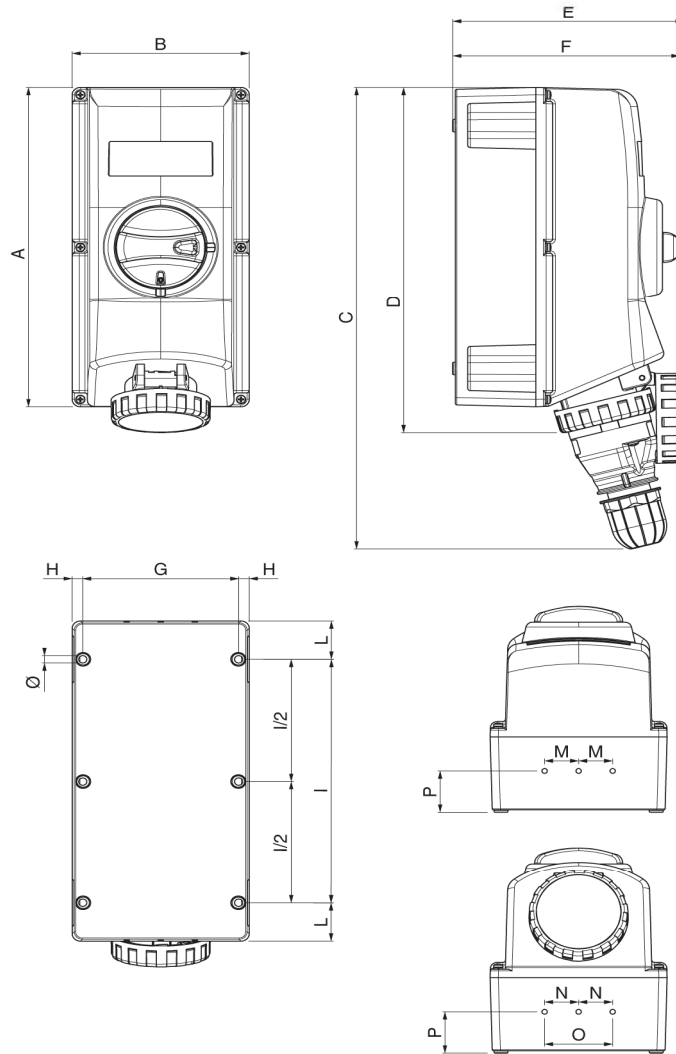
A.S.P. Electro-Technology Ltd

Tel: +44 (0) 1455 635796
 Fax: +44 (0) 1455 610851

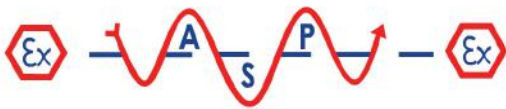
sales@asp-electro-tech.com
 www.asp-electro-tech.com



■ ADVANCE-GRP[GD] SERIES - DIMENSIONS



	TYPE	A	B	C min	D	E	F	G	H	Ø	I	I/2	L	M	N	O	P
16A	2P+E	260	130	370	280	170	166,8	114,5	7,75	6	198		31	25	25		33,5
	3P+E	260	130	375	282	175	166,8	114,5	7,75	6	198		31	25	25		33,5
	3P+N+E	260	130	393	282	182	166,8	114,5	7,75	6	198		31	25	25		33,5
32A	2P+E	260	130	395	285	189	166,8	114,5	7,75	6	198		31	25	25		33,5
	3P+E	260	130	395	285	189	166,8	114,5	7,75	6	198		31	25	25		33,5
63A	3P+N+E	260	130	403	286	185	166,8	114,5	7,75	6	198		31	25	25		33,5
	3P+E	380	170	550	420	225	205,75	150	8,3	7	310		35	32,5	32,5		40
	3P+N+E	380	170	550	420	225	205,75	150	8,3	7	310		35	32,5	32,5		40
125A	3P+E	575	280	800	626	253	250	257	11,5	9	468		54	50		130	49
	3P+N+E	575	280	800	626	253	250	257	11,5	9	468	234	54	50		130	49

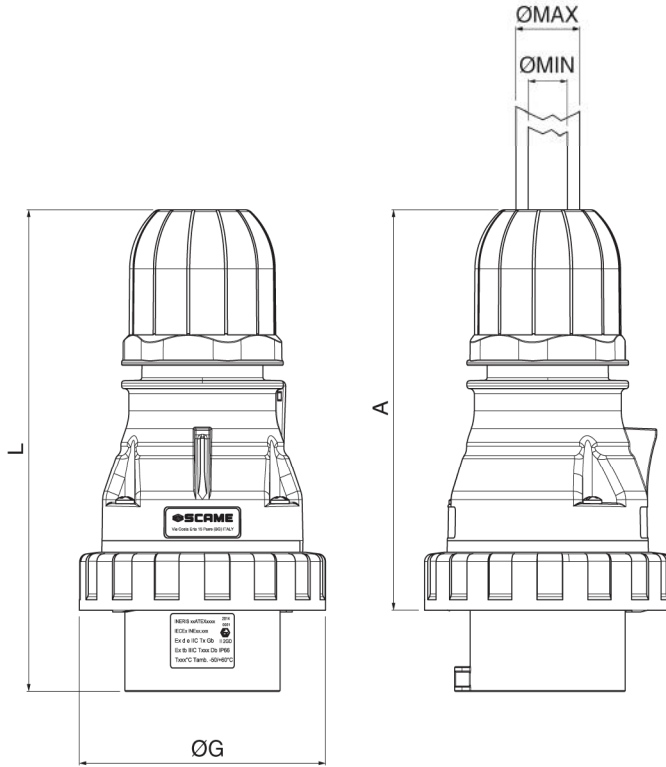


A.S.P. Electro-Technology Ltd

Tel: +44 (0) 1455 635796
 Fax: +44 (0) 1455 610851

sales@asp-electro-tech.com
 www.asp-electro-tech.com

■ OPTIMA-EX[GD] SERIES - DIMENSIONS



IP66	TYPE	A Min	øG	L Min	ø Min	ø Max
16A	2P+E	116	73	140,5	6	15
	3P+E	123	81	147,5	6	15
32A	3P+N+E	140,5	88	165	9	20
	2P+E	142,6	92	174	9	20
63A	3P+E	142,6	92	174	9	20
	3P+N+E	150	101	180,5	13	23
125A	3P+E	166,5	112	217,5	17	33
	3P+N+E	166,5	112	217,5	17	33
125A	3P+E	214,5	128	274	26	50
	3P+N+E	214,5	128	274	26	50